

1200W Air Cooler Controller



800W-1500W BLDC Motor Driver with Control Panel(Remote Controller is Optional), Build-in Full Protection for Industrial Air Cooler.

Product Highlights

- Input Voltage: 140-270Vac
- Rated Current: 7.0A
- Applicable Motor Power: Up to **1200W**
- Speed: Up to **1440RPM**
- Closed-Loop Starting without Position Sensor
- Non-Inductive FOC Motor Control Algorithm to Achieve **low motor noise**.
- **Energy Efficient:** Accurate frequency adjustment and real-time voltage compensation algorithms make the motor work efficiently.

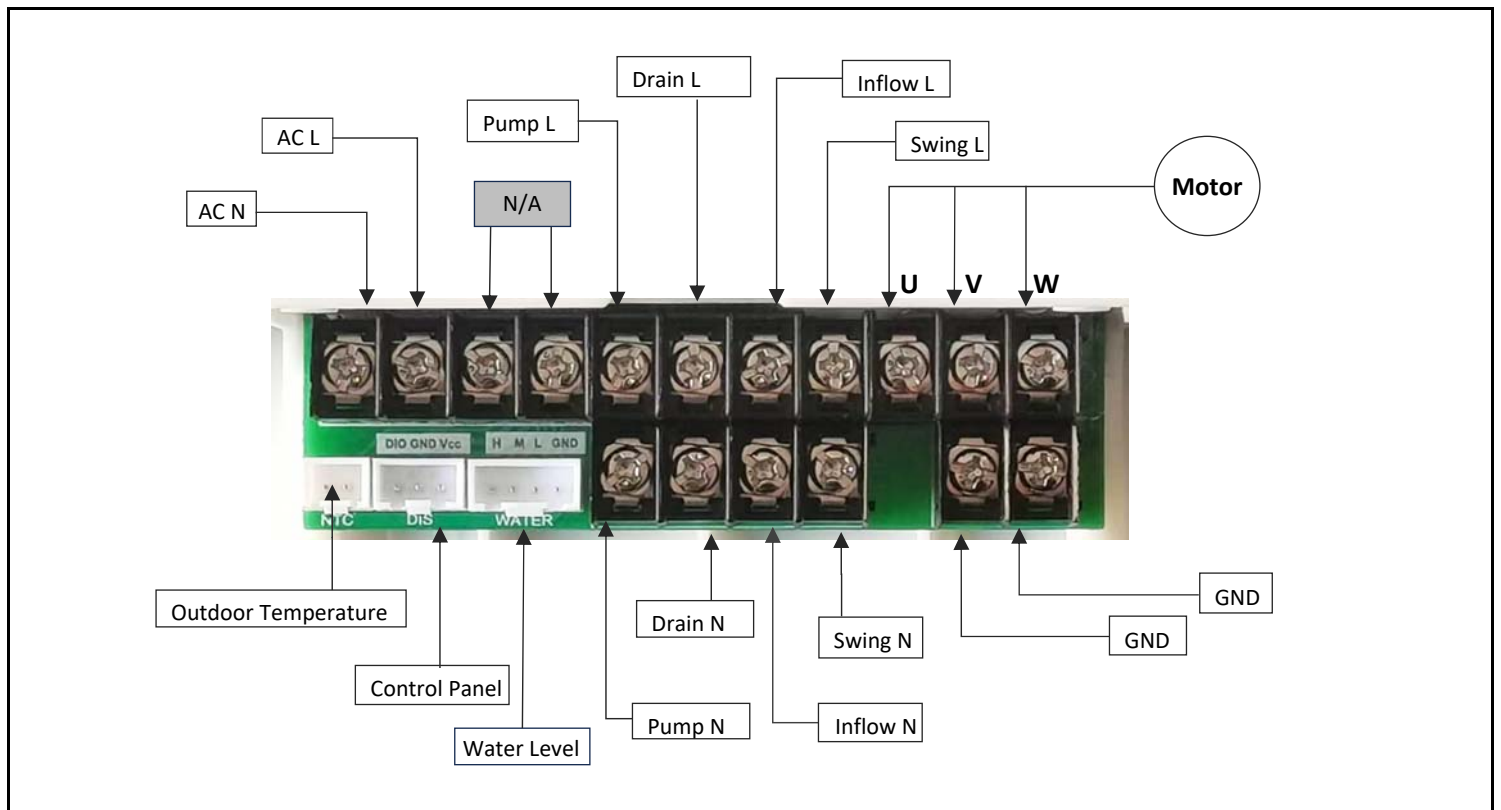


Specification

Name	Description	Condition	Value
Input	Input Voltage	Full Load	140-270VAC
	Input Power	Full Load	1200W
	Input Frequency	/	47-63Hz
	Working Current	Full Load	7.0A
Output	Output Current	Full Load	4.5A(rms)
	Output Power	Full Load	1200W
	Output Frequency	Full Load	120Hz
Control	Motor position sensor	/	N/A
	Control Method	/	FOC Sine-Wave Vector Control
	Start Method	/	Closed Loop Start
Motor	Type of Motor	/	Inner Rotor(Customizable)
	Number of Poles	/	5 Sets(10 Poles)
	Rated Speed	/	1440RPM
External	Speed Control	By Control Panel (Remote Controller is Available)	500-1440RPM
	On/Off	By Control Panel (Remote Controller is Available)	
Protection	Over Current Protection	Current Monitoring	5.5A
	Short-Circuit Protection	Current Monitoring	15A
	Locked Rotor Protection	/	Available
	Overload Protection	Current Limiting	5.5A
	Phase Loss Protection	RMS Phase Current	<0.5A
	3-Phase Current Imbalance Protection(output)	Phase Current Difference	>1A
	Start Failure Protection	Rotor Cannot be Synchronized within 10 seconds	Auto restart; If it happens 5 times in a row, it will automatically shut down & need to reconnect power to recover.
	Undervoltage Protection	Voltage Monitoring	<110VAC
	Overvoltage Protection	Voltage Monitoring	>280VAC

	Overheating Protection 1	90°C	Auto Slow Down
	Overheating Protection 2	100°C	Auto shutdown for 30 seconds
	Communication Fail Protection	5 Seconds no Signal	Auto close output
Power Consumption	Standby Power	/	2W
Efficiency	Control Board Only	/	>94%
Cooling	/	Air Cooling	/
Noise	/	/	≤50dbA
Environment	Operating Temperature		-20°C ~50°C
	Operating Humidity		0% ~90%
	Storage Temperature		-20°C ~85°C
	Storage Humidity		0% ~95%
Standard	/	RoHS	/
Dimension(LxWxH)	/	/	200x140x72mm

Terminal Blocks / Connection



Cautions

- It is strictly forbidden to immerse the product in any liquid or corrosive environment.
- It is strictly forbidden to be placed in an environment exceeding 70 °C for a long time, and away from fire and heat sources.
- It is strictly forbidden to assemble or operate this product in an environment with strong static electricity and magnetic.

For the latest updates, visit our website: www.etg-tech.com

Lumsyn is a brand of Ningbo Etg Tech Ltd(abbreviated as ETG Tech). ETG Tech owns all rights to interpret LUMSYN brand products.

ETG Tech reserves the right to make changes to its products at any time to improve reliability or manufacturability. ETG Tech does not assume any liability arising from the use of any device or circuit described herein. ETG Tech makes no warranty herein and specifically disclaims all warranties including, without limitation, the implied warranties of merchantability.

Lumsyn Sales Support & Location.

Address: Building 1, #28, Lane 299 Jinshan Road, Jiangbei District, Ningbo, Zhejiang Province, China 315034

Tel: +86 574 27705560 Email: sales@etg-tech.com WhatsApp: +8615606680916

Web: <https://www.etg-tech.com/pcb-design-manufacture/>

